

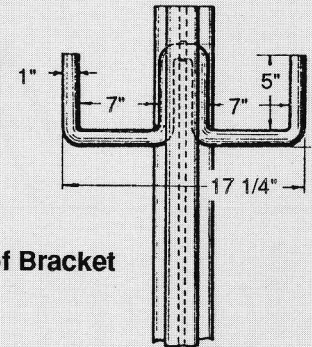
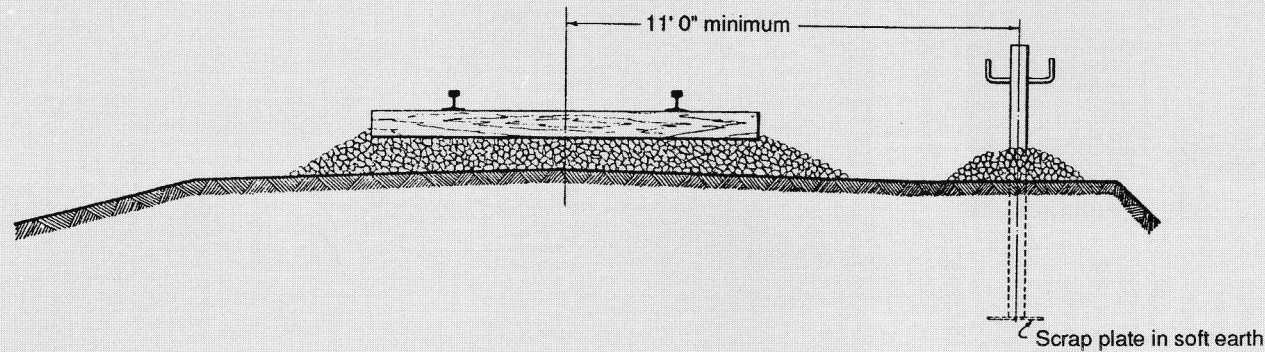
# Standard Plans

## Southern Railway Rail Rest

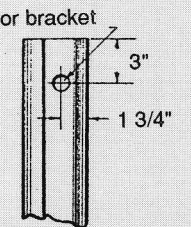
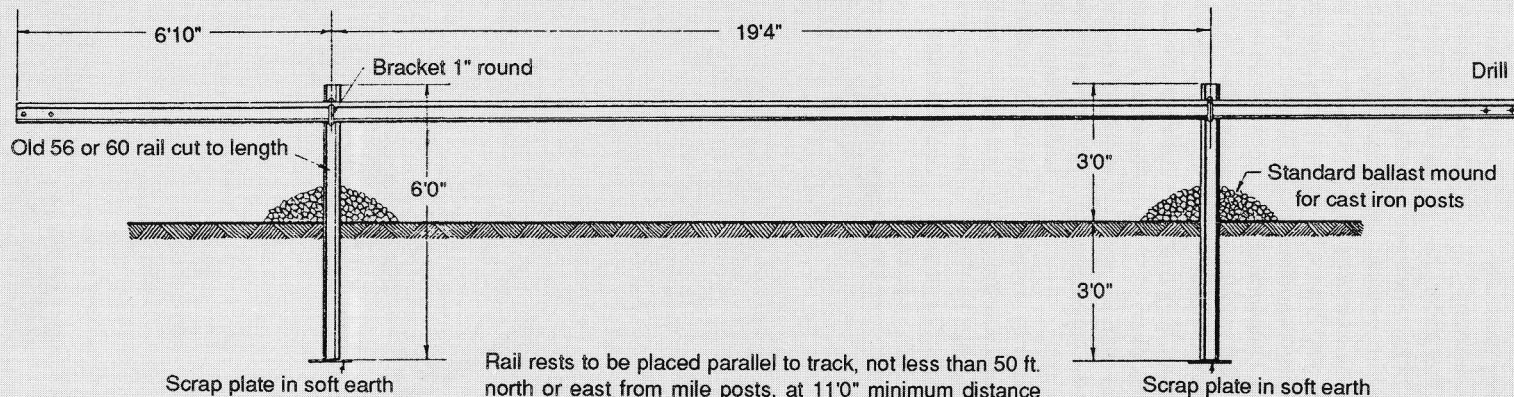


NO SCALE

Prepared from official Southern Railway Standards drawings. Copies of these drawings may be made for noncommercial use only.



Detail of Bracket



Drilling for Uprights

Rail rests to be placed parallel to track, not less than 50 ft. north or east from mile posts, at 11' 0" minimum distance from center lin of main track.  
 One rail rest to be installed at every mile post on double track, and at every even numbered mile post on single track.